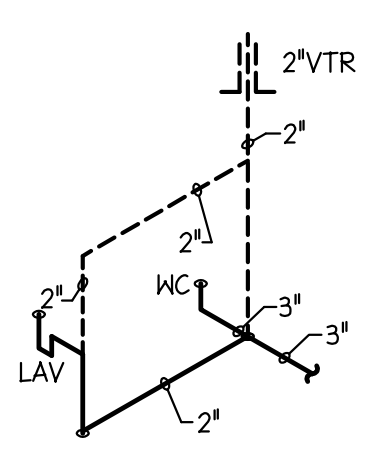
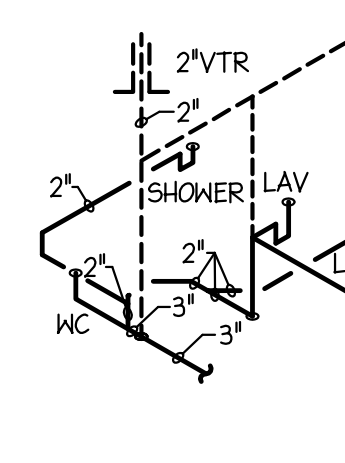


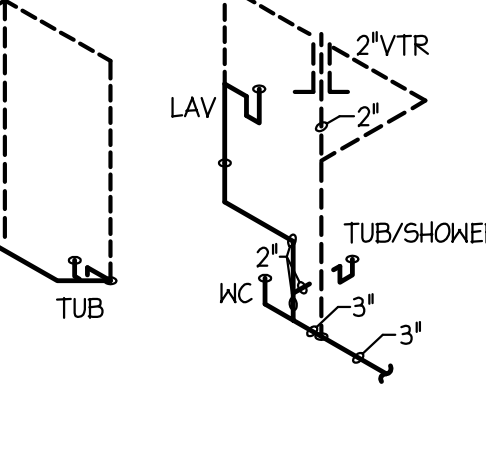
20 DFU



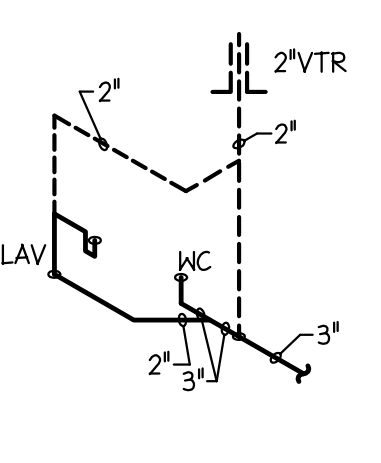
4 DFU



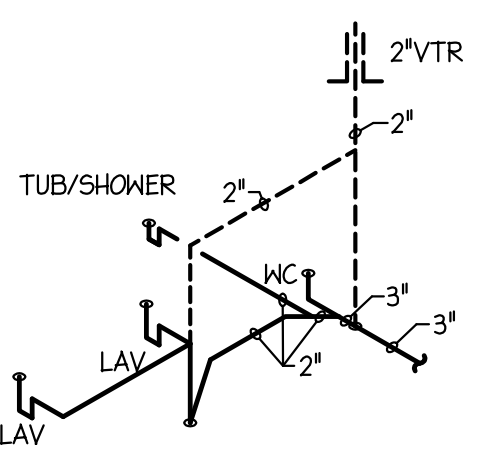
8 DFU



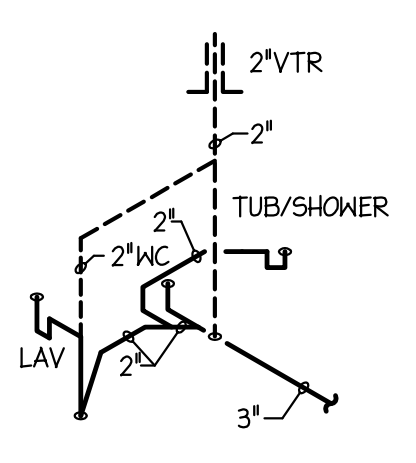
5 DFU



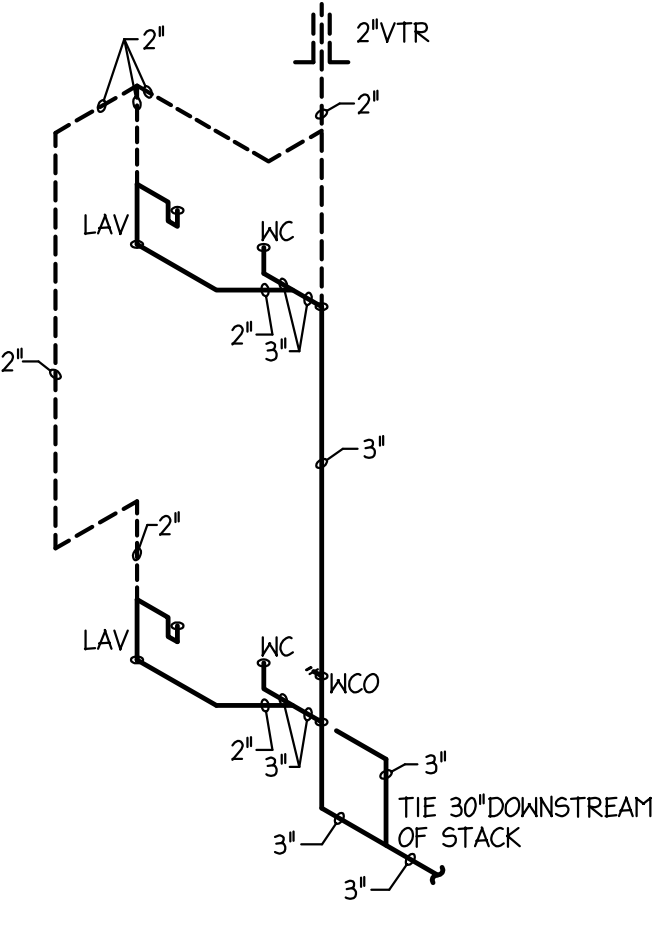
4 DFU



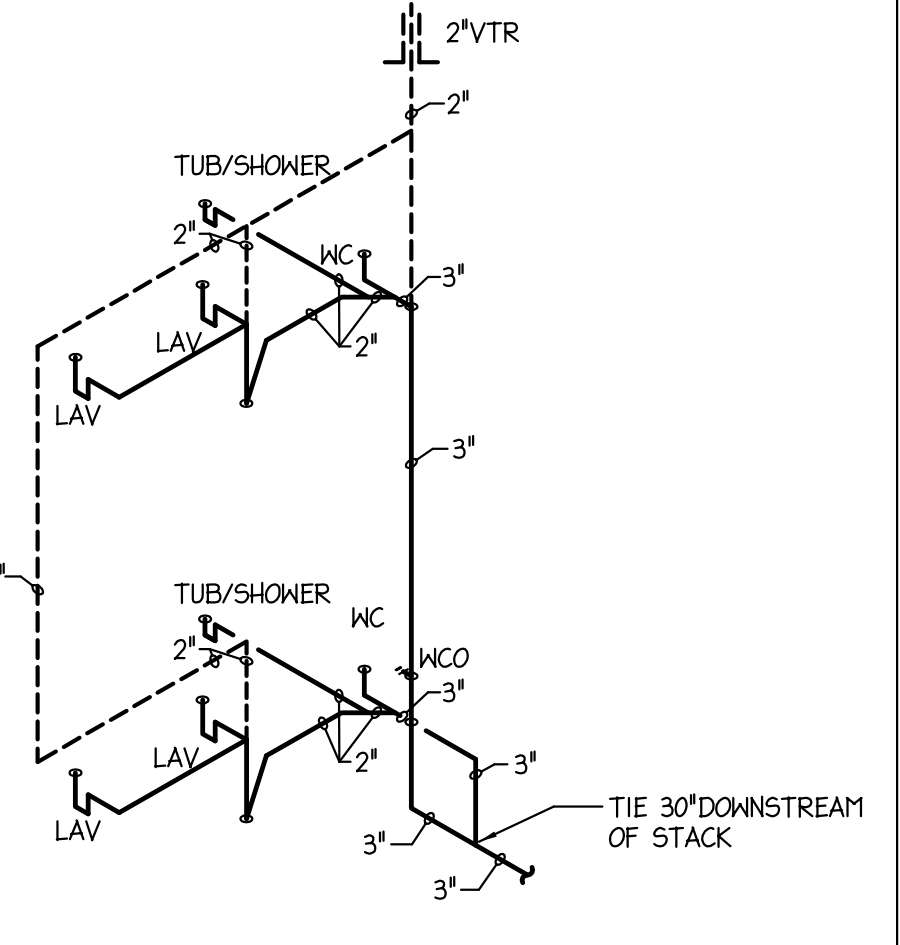
6 DFU



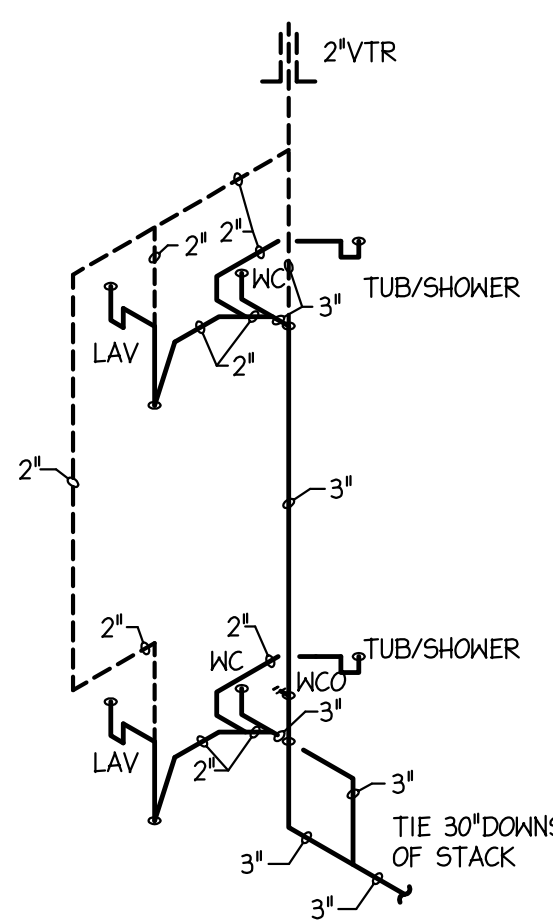
5 DFU



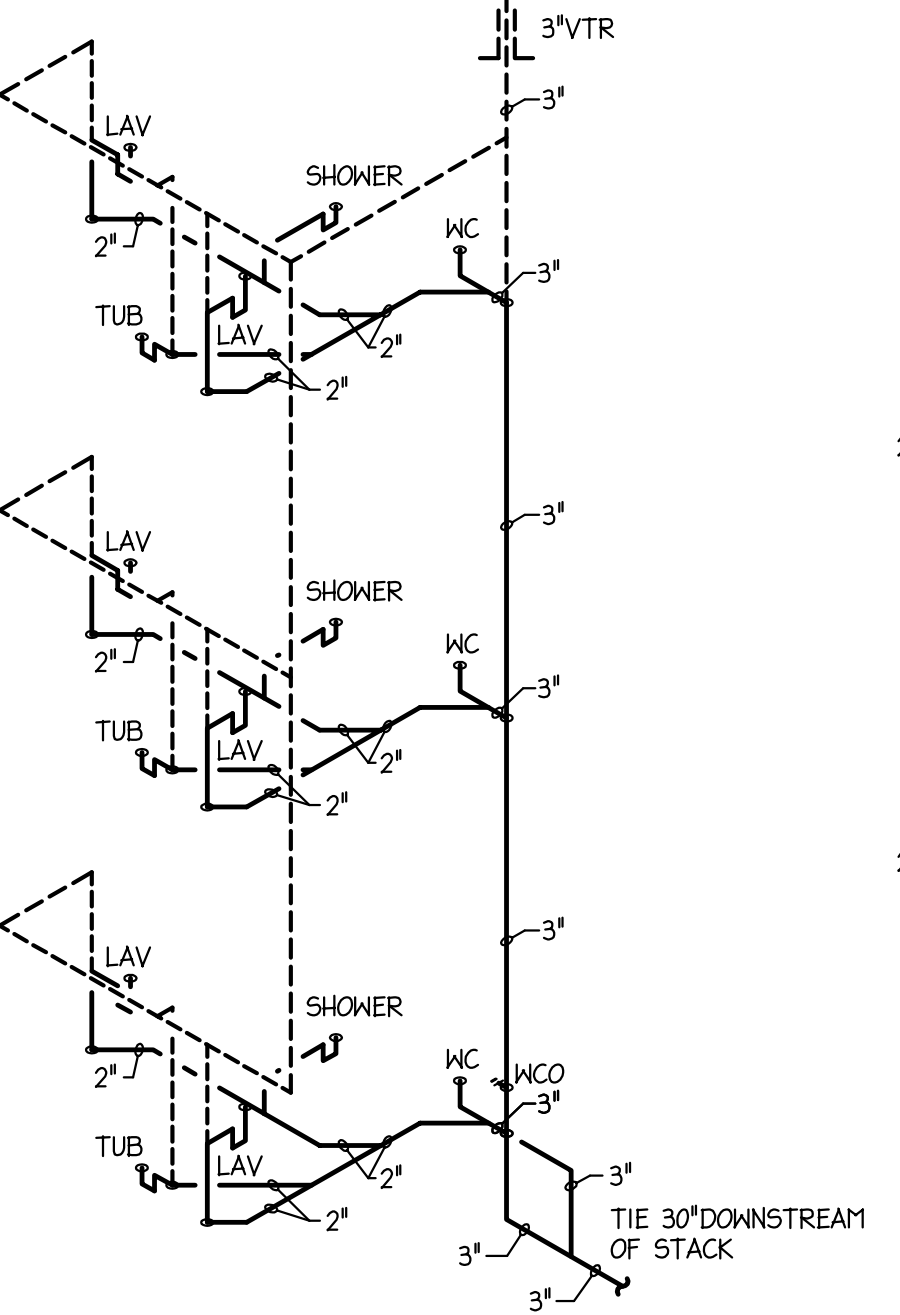
8 DFU



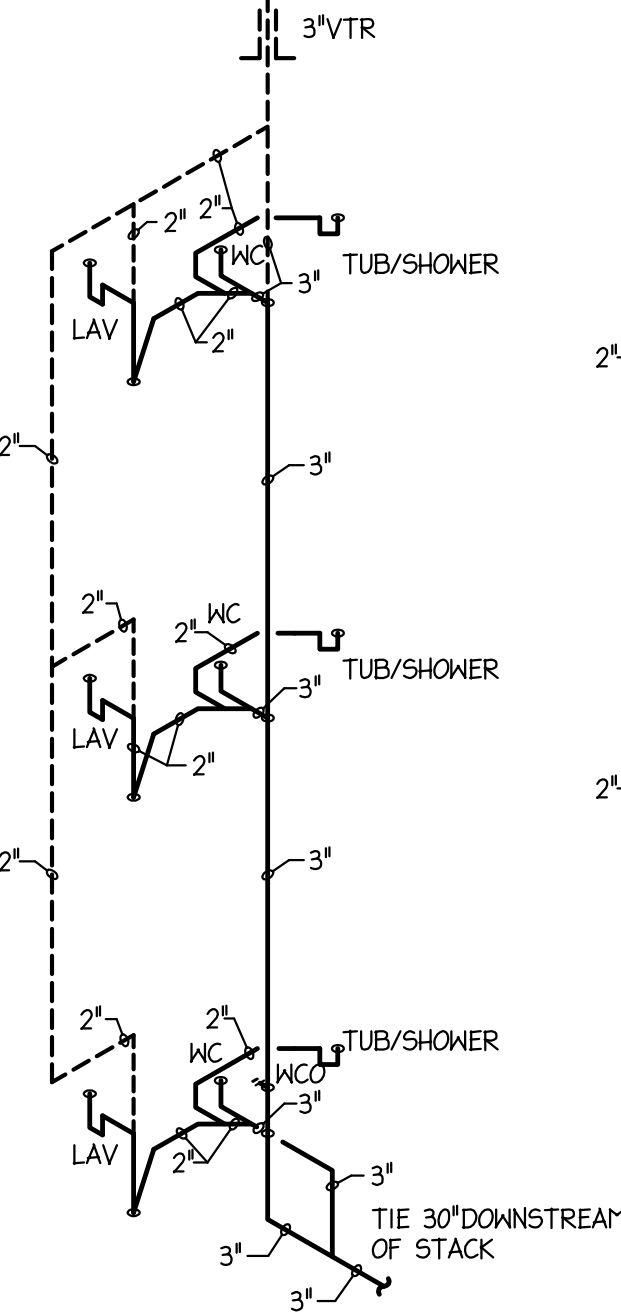
12 DFU



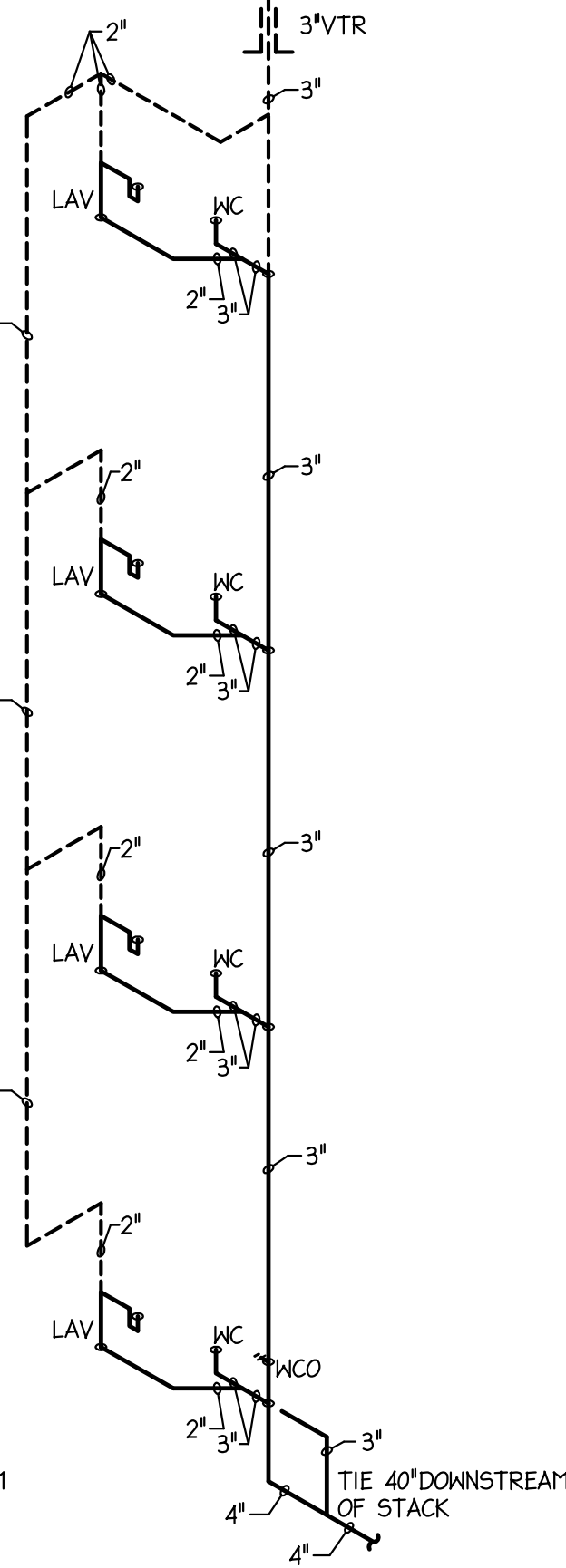
15 DFU



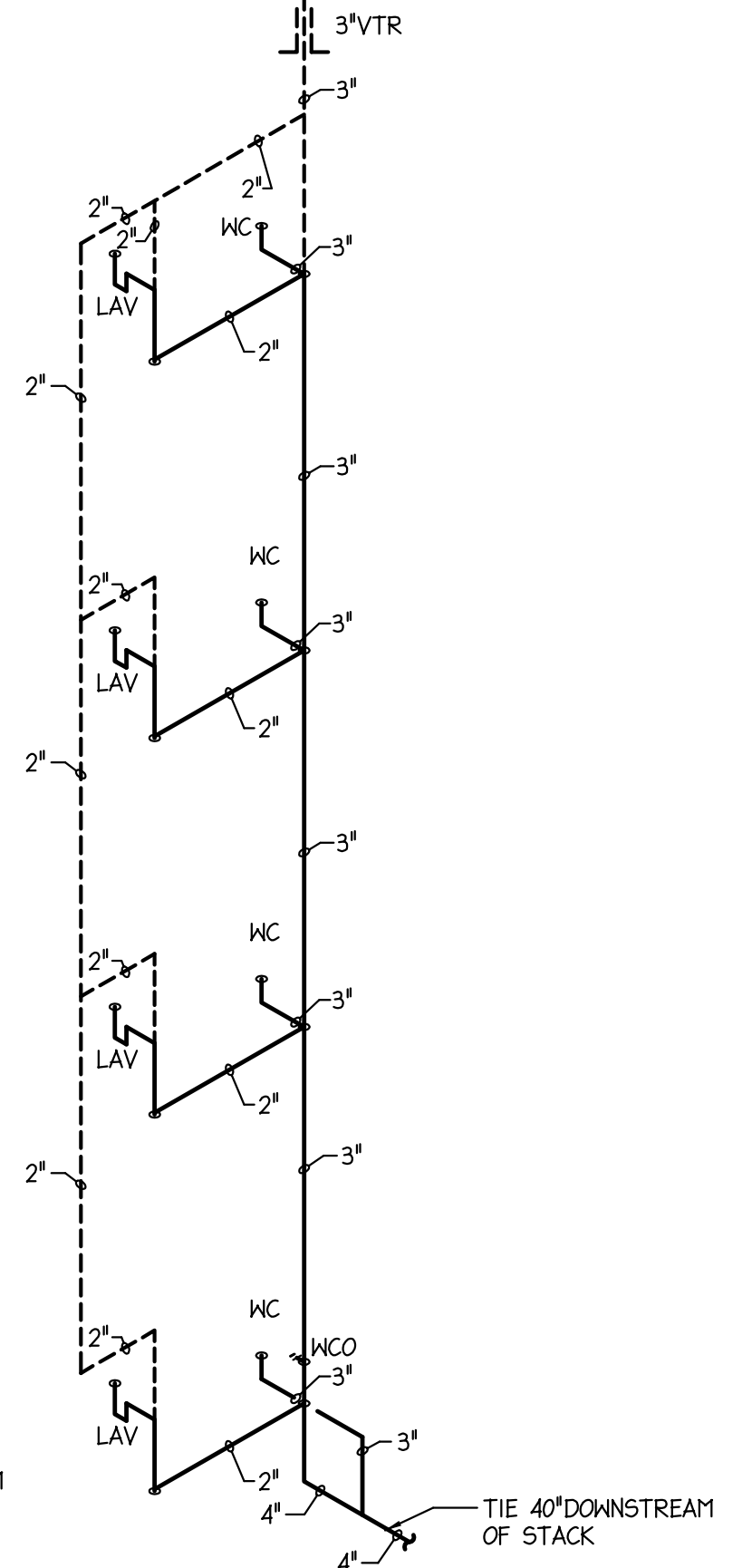
15 DFU



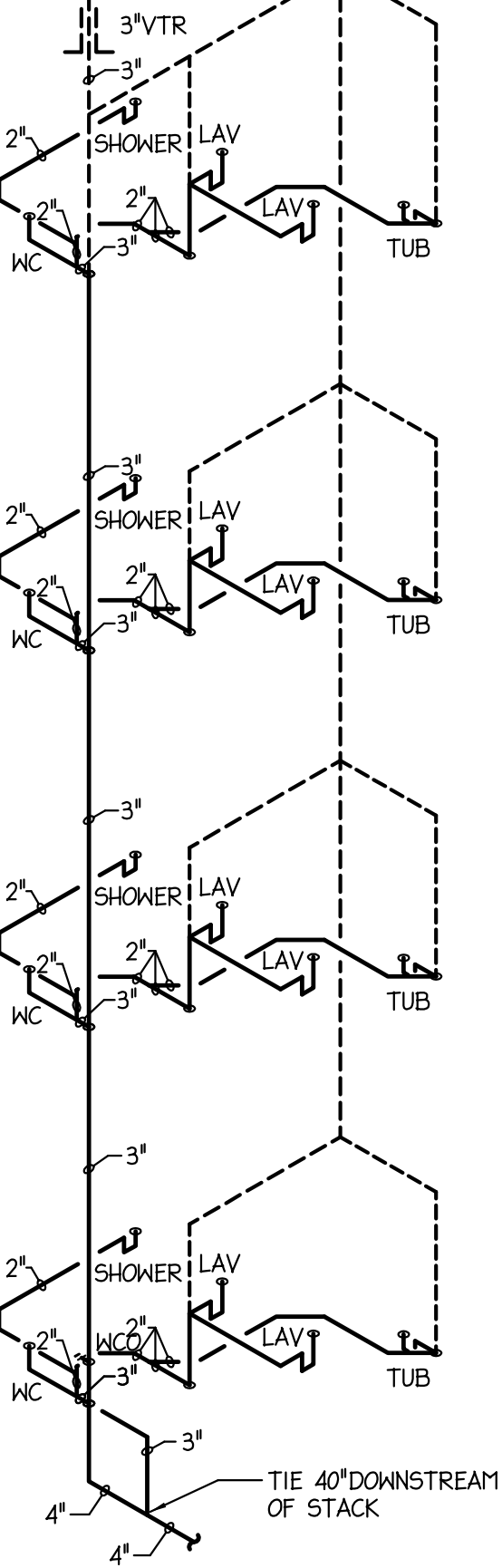
15 DFU



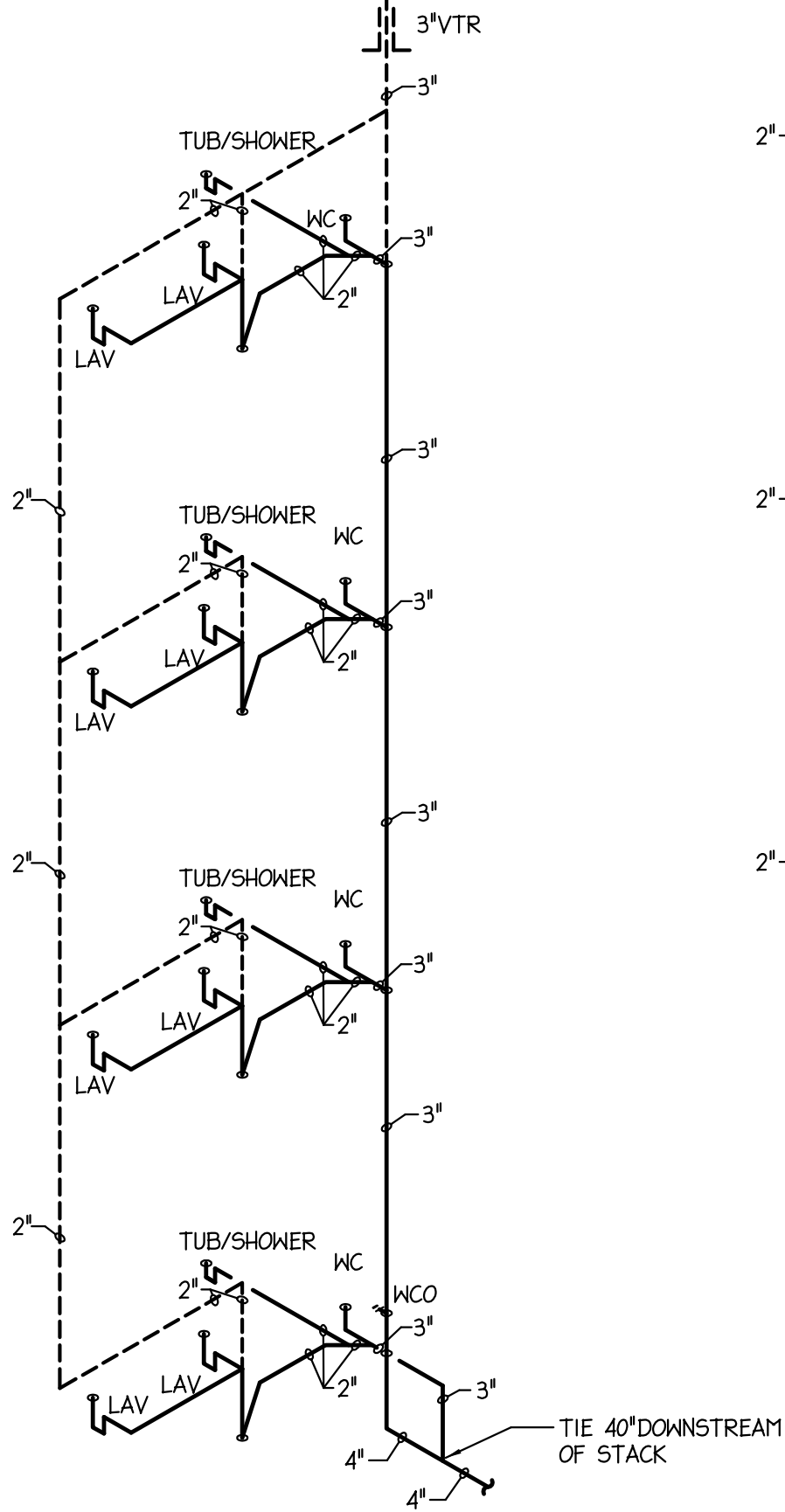
16 DFU



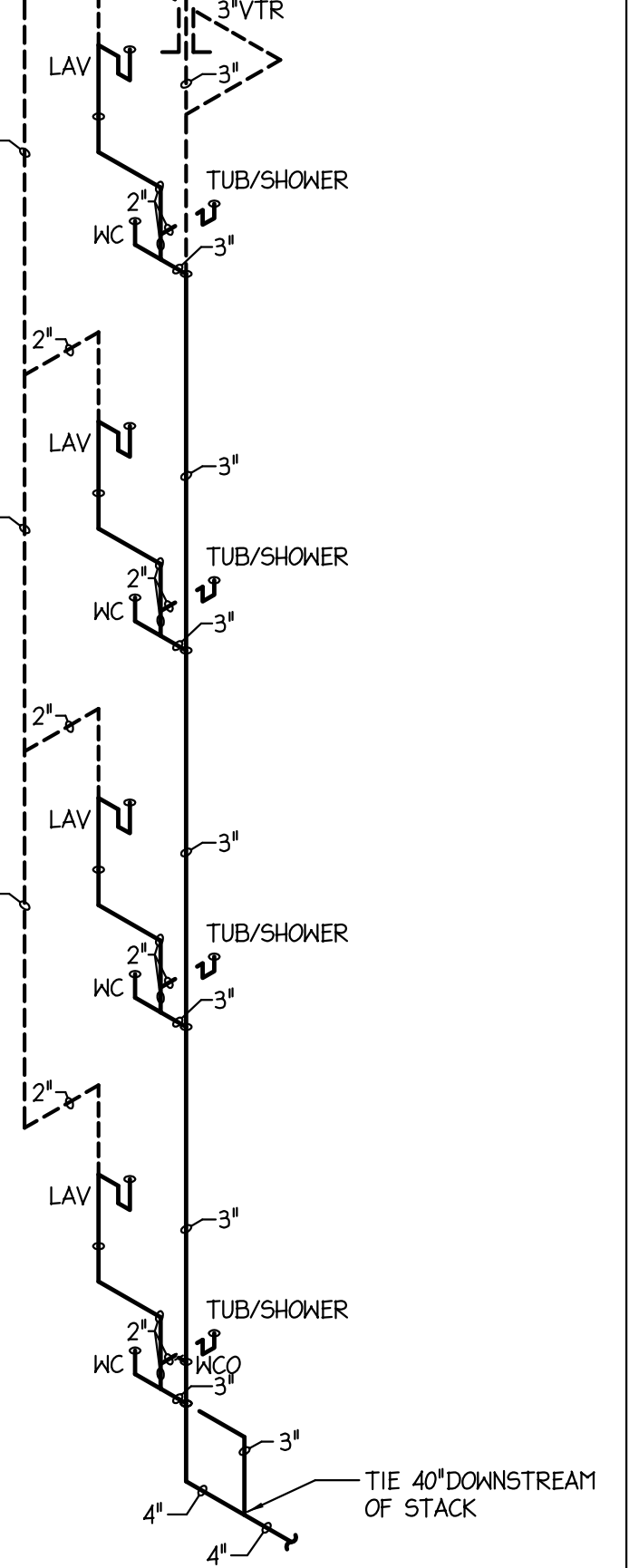
16 DFU



32 DFU



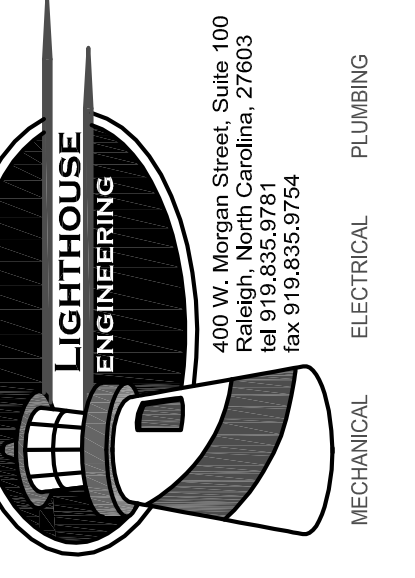
24 DFU



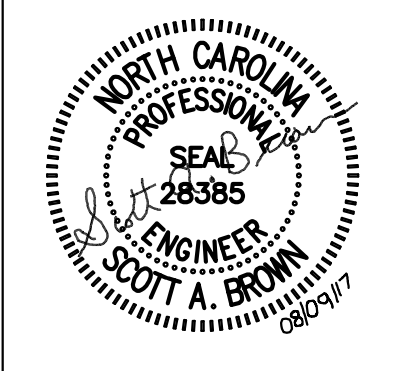
15 DFU

©2016 LIGHTHOUSE ENGINEERING, PA. EXPRESSLY RESERVES ITS COMMON LAW COPYRIGHT AND OTHER PROPERTY RIGHTS IN THESE PLANS. THESE PLANS ARE NOT TO BE REPRODUCED, CHANGED OR COPIED IN ANY FORM OR MANNER WHATSOEVER, NOR ARE THEY TO BE ASSIGNED TO ANY THIRD PARTY WITHOUT FIRST OBTAINING THE EXPRESSED WRITTEN PERMISSION AND CONSENT OF LIGHTHOUSE ENGINEERING, PA.

04-1008501-01.dwg
Aug 09, 2017 10:48am



Concordia Building Company
Nantucket Condominiums
 700 Waterford Lake Drive Cary, NC



PROJECT:	WOP-05115	DATE	06.16.2017
REVISIONS:			
1	CITY COMMENTS	08.07.17	
DRAWN BY:	TTK		
CHECKED BY:	SAB		
CONTENT:	PLUMBING		
	RISERS		