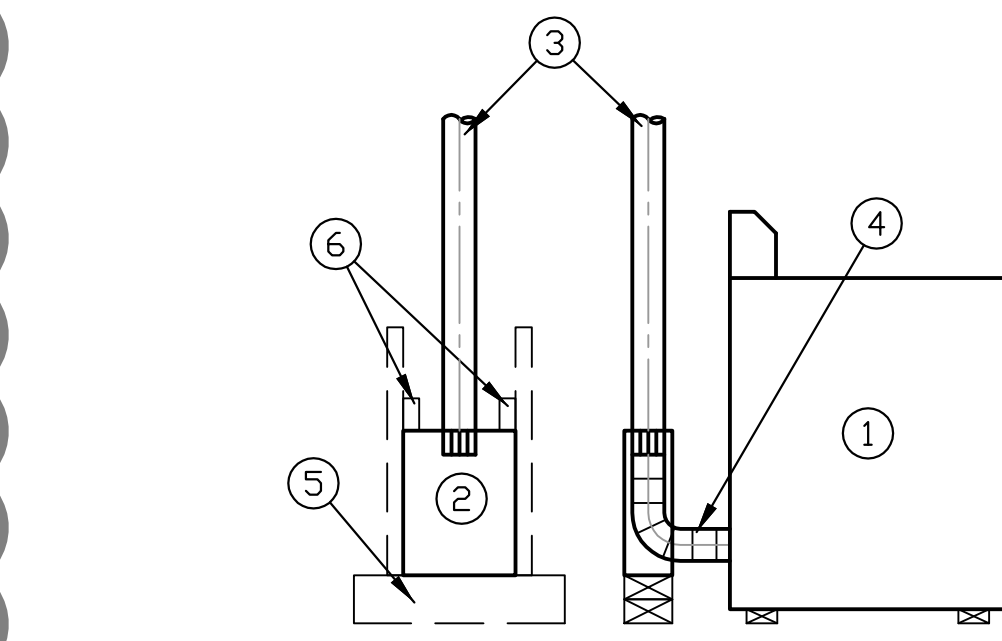
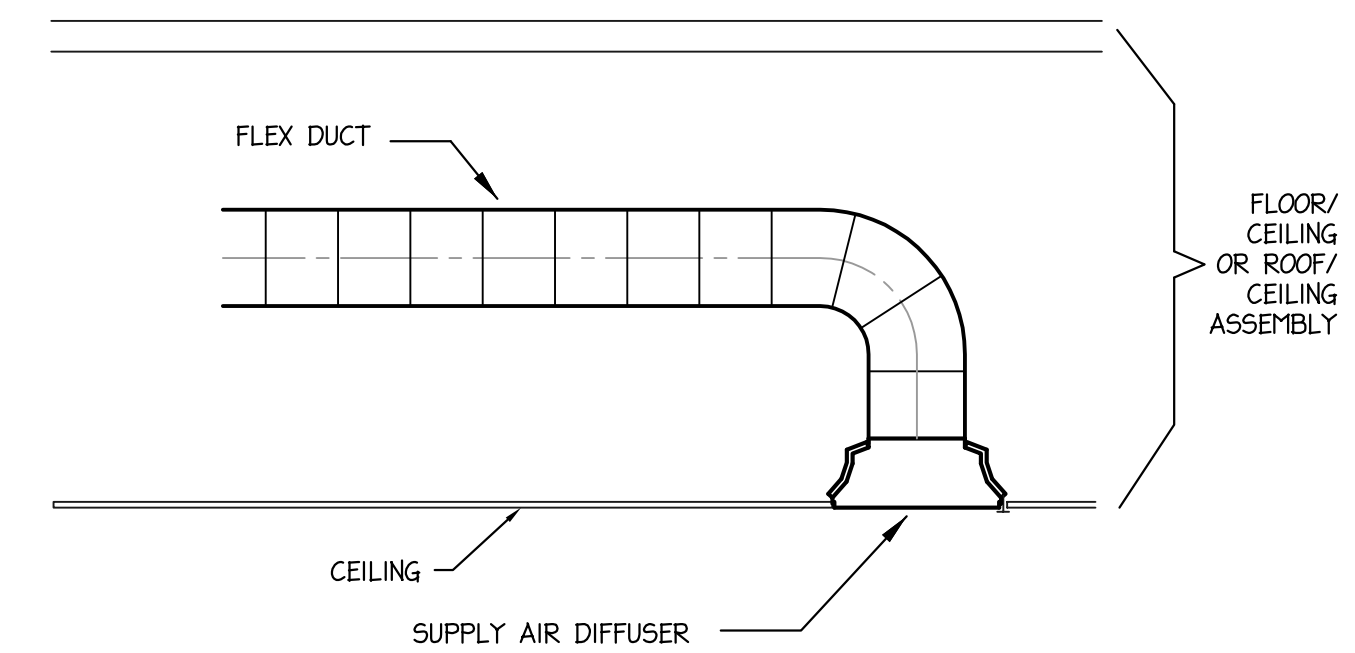


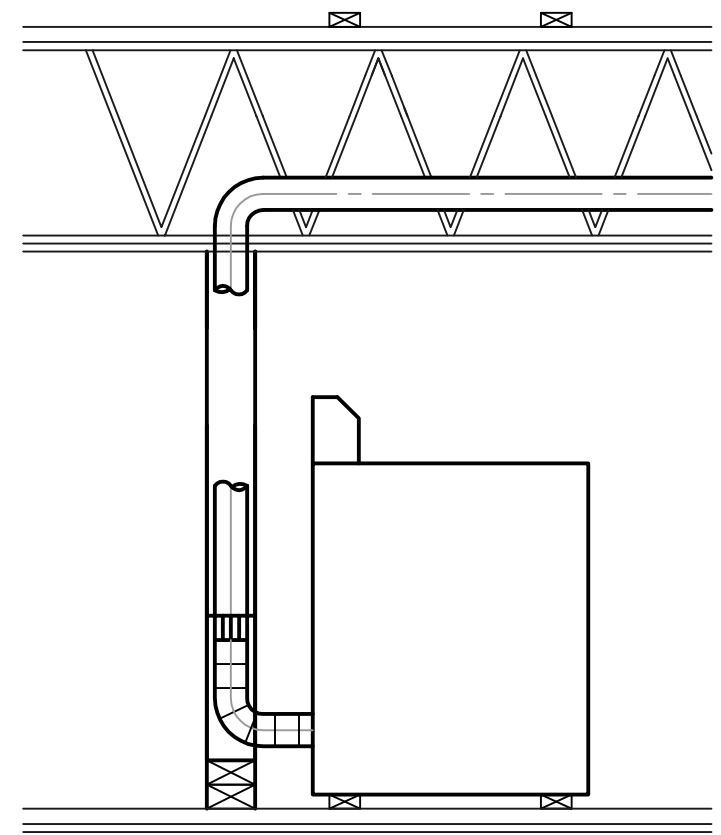
7 IN-LINE FAN DETAIL
NO SCALE



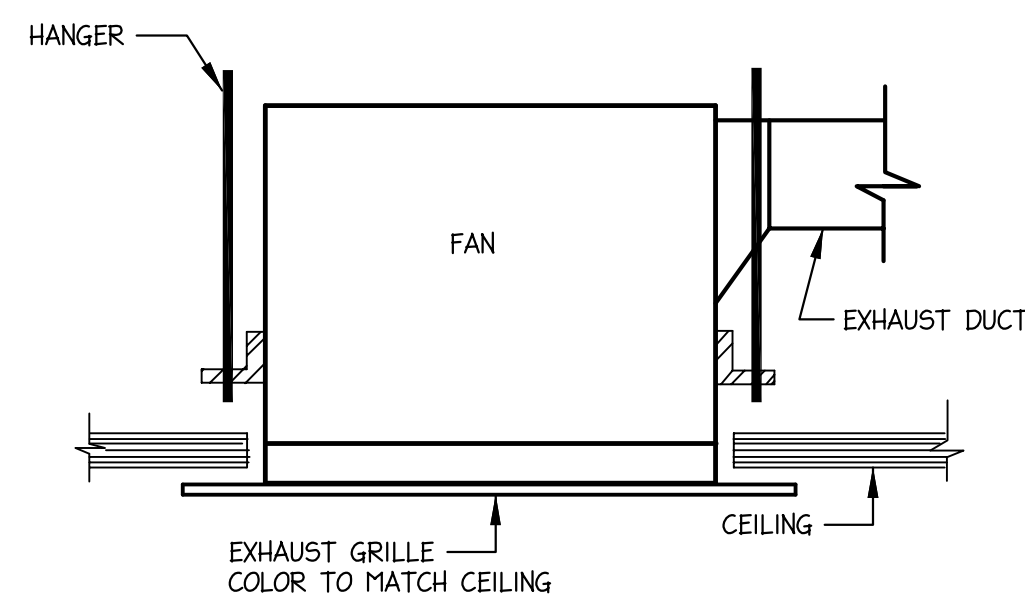
6 RECESSED METAL BOX FOR DRYER EXHAUST
NO SCALE



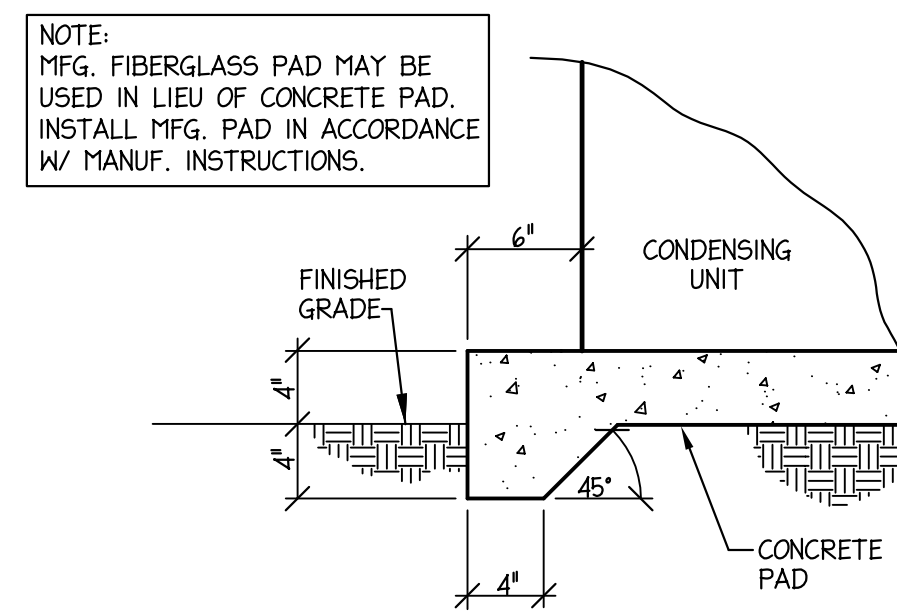
5 SUPPLY AIR DIFFUSER DETAIL
NO SCALE



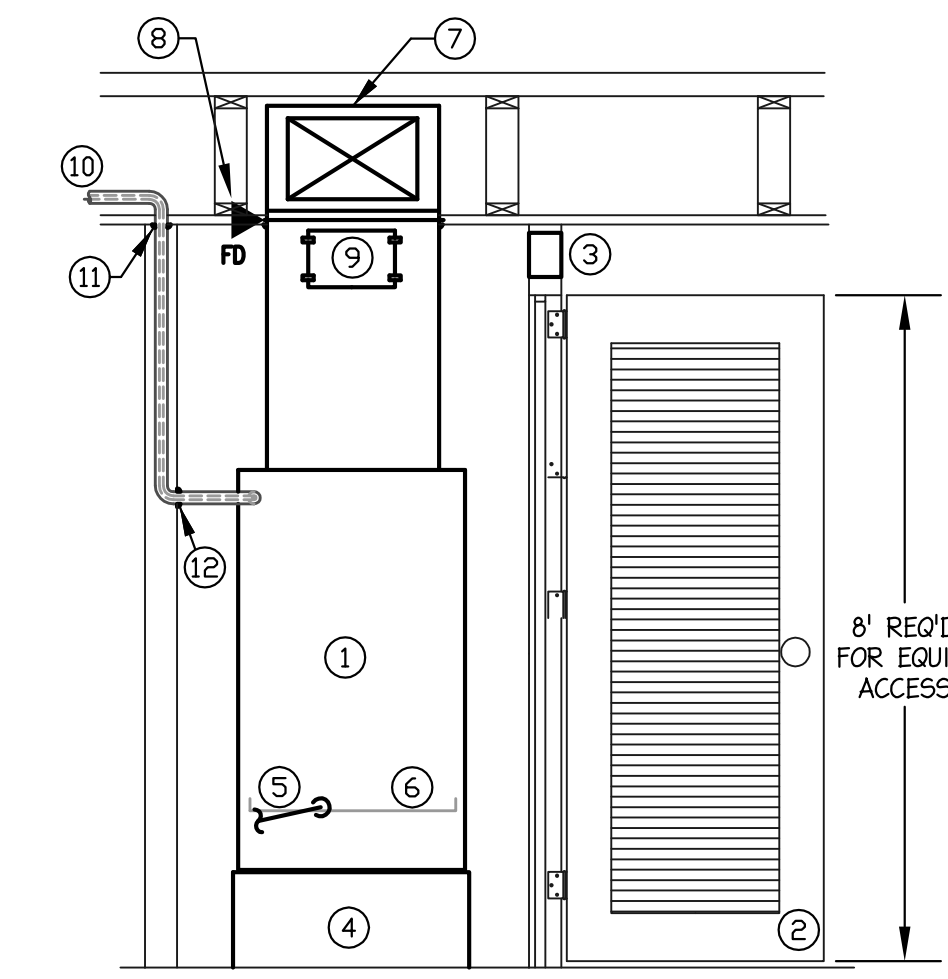
4 DRYER VENT DETAIL
NO SCALE



3 EXHAUST FAN DETAIL
NO SCALE



2 CONDENSING UNIT PAD DETAIL
NO SCALE



LOWERED DOOR RETURN

NOTES:

- ① AIR HANDLER IN CLOSET, FRONT RETURN.
- ② DOOR LOUVER OR LOWERED DOOR.
- ③ GRILLE LOCATED ABOVE DOOR.
- ④ FABRICATED FILTER RACK (PROVIDE FILTER)
- ⑤ 3/4" DRAIN FROM AH CONDENSATE TO HUB DRAIN. (THIS CONNECTION MUST BE IN A VISIBLE LOCATION.)
- ⑥ MICROFLOAT SWITCH LOCATED IN PRIMARY DRAIN PAN AT A POINT HIGHER THAN PRIMARY DRAIN LOCATION. INTERLOCK FLOAT SWITCH W/ A.H.
- ⑦ SUPPLY DUCT IN FLOOR/CEILING SPACE.
- ⑧ U.L. APPROVED TYPE "B" FIRE DAMPER
- ⑨ INSULATED ACCESS DOOR.
- ⑩ REFRIGERANT LINE SET
- ⑪ APPROVED FIRE STOP SEALANT (RATED FLOOR/CEIL. ASSEMBLIES ONLY)
- ⑫ NON-HARDENING SEALANT AROUND ALL CLOSET PENETRATIONS

1 UNIT AIR HANDLER DETAIL (UNITS)
NO SCALE

REVISIONS:	DATE
WOP-05115	06.16.2017
CITY COMMENTS	08.07.17

DRAWN BY: PWI
CHECKED BY: SAB
CONTENT: MECHANICAL
DETAILS